

NK 20

Sample Cooler

The Vira NK 20 Sample Cooler is designed to provide safe, efficient, and reliable cooling of boiler water and steam samples for chemical analysis. It ensures that high-temperature, high-pressure samples are cooled to safe handling levels without altering their chemical properties, allowing for precise and accurate water quality monitoring.

The NK 20 operates using a stainless steel coil heat exchanger, where the hot sample passes through the coil and is cooled by counter-flowing cooling water. This indirect cooling method protects both personnel and measuring instruments, ensuring compliance with industrial and environmental standards.

Key Features:

Designed for continuous or manual sampling from steam boilers and pressurized vessels

Built with high-quality stainless steel for long-term corrosion resistance and durability

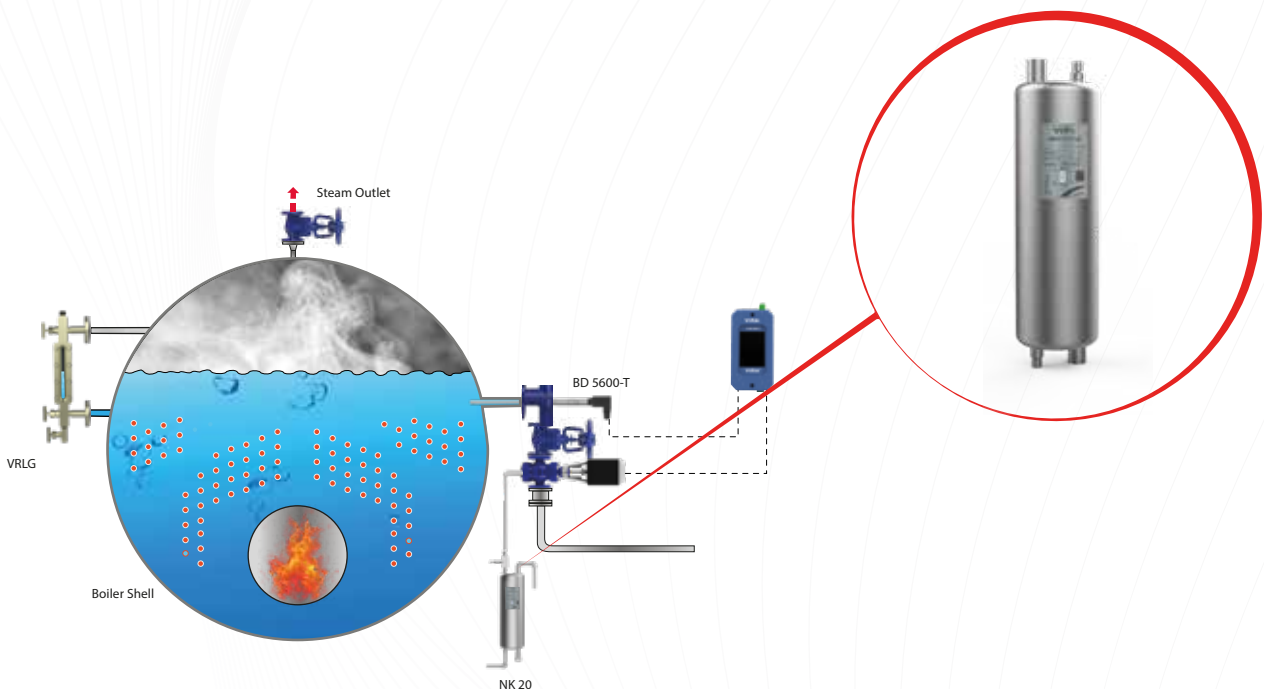
Compact, wall- or panel-mounted design for easy installation and maintenance

Reduces sample temperature to below 50°C, suitable for safe and accurate analysis

Ideal for monitoring conductivity, pH, silica, and other critical water quality parameters

Fully compatible with Vira’s boiler control and blowdown systems

The NK 20 Sample Cooler is an essential accessory for maintaining boiler efficiency, extending equipment life, and meeting the strict requirements of EN 12952 and EN 12953 standards.

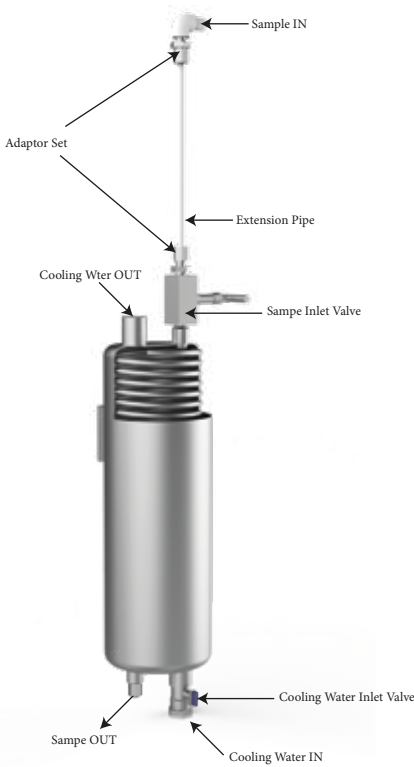


NK 20 Sample Cooler



Sample Cooler

Type	: NK 20
Body	: AISI 304L Stainless Steel
Pipe Coil	: AISI 304L Stainless Steel
Pipe Coil Nominal Pressure	: PN 40
Max. Operat. Press.	: 32 Bar g
Max. Operat. Temp.	: 239 °C
Cooling Water Connection	: 1/2" BSP Threaded
Sample Connection	: 1/4" BSP Threaded



Montage Set

Type	: NK 20 - MS
Needle Valve	: 1/4"
Street Elbow	: 1/4"
Pipe	: 1/4", 50 cm, Ø6mm
Reduction	: 1/2" - 1/4"
Connector	: 1/4", Ø6mm
Valve	: 1/2" Male - Female

TECHNICAL SPECIFICATION

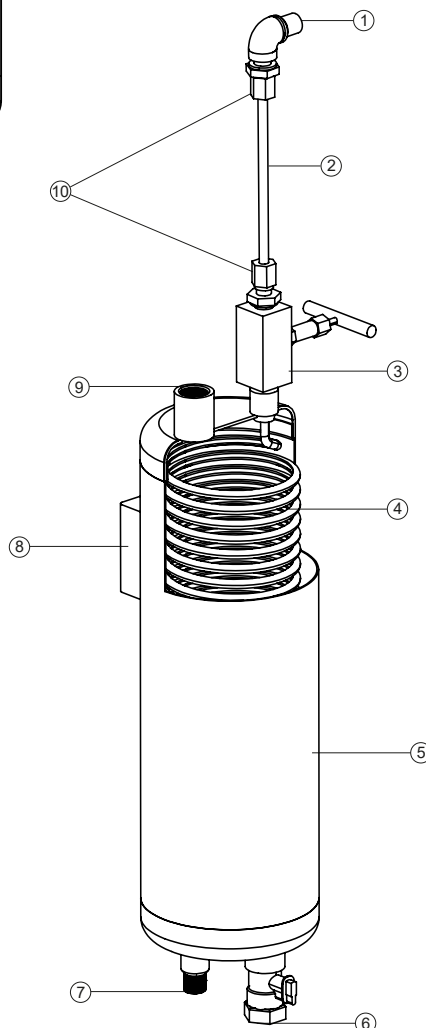
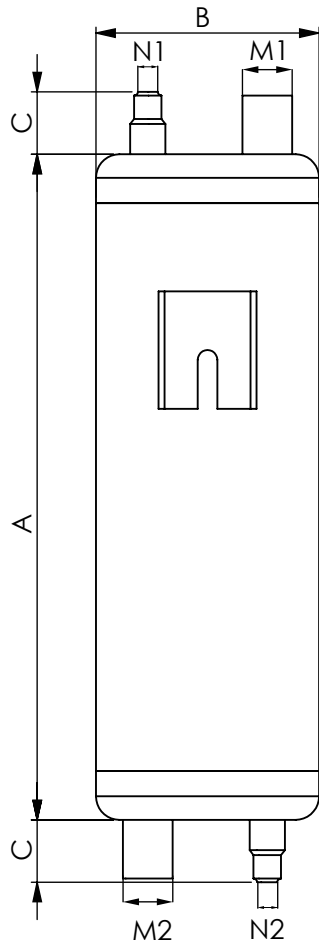
NK 20 Sample Cooler

Technical Data

Type	NK20
Body Material	Austenitic Stainless Steel 304L
Coil Material	Austenitic Stainless Steel 304L
Coil Nominal Pressure	PN 40
Coil Max. Operat. Pres.	32 Bar g
Coil Max. Operat. Temp.	239 C
Body Nominal Pres.	PN 16
Body Max. Operat. Pres.	10 Bar g
Body Max. Operat. Temp.	120 C

Dimensions

SIZE	A (mm)	B (mm)	C (mm)	M (inch)	N (mm)
NK20	340	114	30	1/2	1/4



No	Part	Material
1	Street Elbow (Sample Inlet)	Austenitic Stainless Steel 304
2	Extension Pipe	Austenitic Stainless Steel 304
3	Needle Valve	Austenitic Stainless Steel 304
4	Coil	Austenitic Stainless Steel 304L
5	Shell	Austenitic Stainless Steel 304L
6	Cooling Water Inlet Valve	Brass
7	Sample Out	Austenitic Stainless Steel 304
8	Mounting Bracket	Austenitic Stainless Steel 304
9	Cooling Water Outlet	Austenitic Stainless Steel 304
10	Adaptor Set	Austenitic Stainless Steel 316L